

Front View

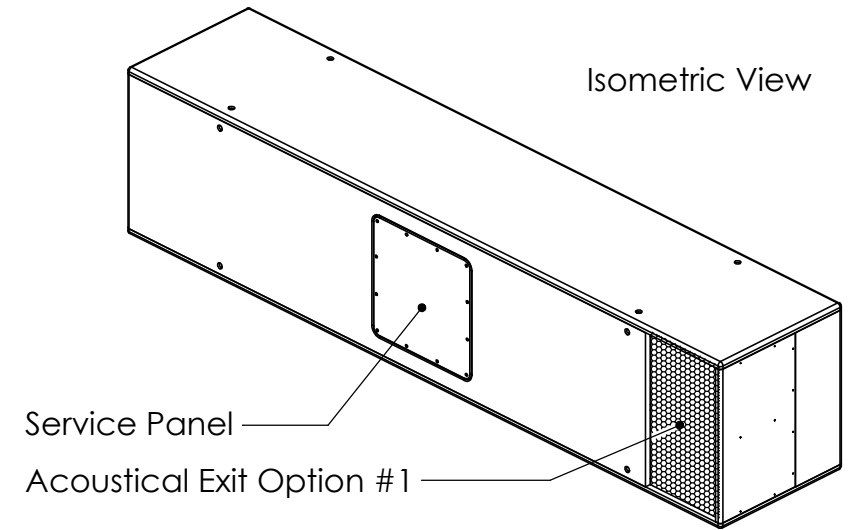
Right View

Back View

Grill Shown Here
Grill Size 18.56" X 10.34"

Info Label

Input Panel: NL4 X2
or
Power Amp



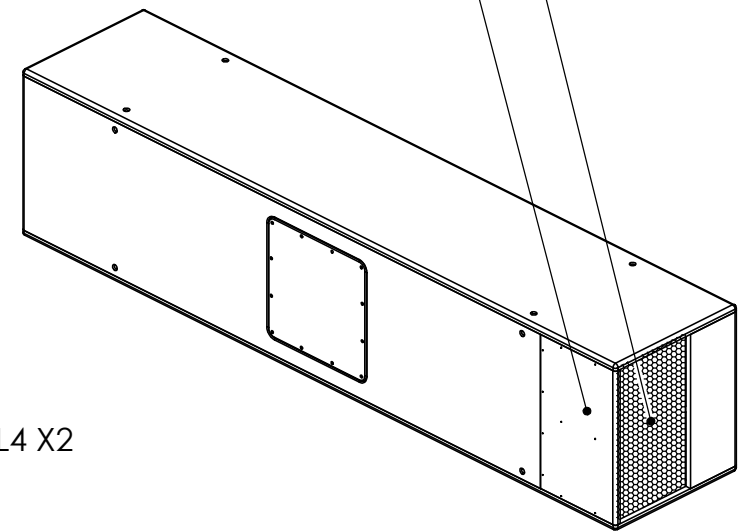
Isometric View

Service Panel

Acoustical Exit Option #1

Acoustical Exit Option #2

Cover Plate is Interchangeable
with Grill



Isometric View

- = Suspension Point Symbol
- ⊕ = Center of Gravity Symbol

Suspension Points:
16 Places Total (4 on each Long Side)

PROPRIETARY AND CONFIDENTIAL <small>THE INFORMATION CONTAINED IN THIS DRAWING IS THE SOLE PROPERTY OF QUALITY MUSICAL SYSTEMS, INC. ANY REPRODUCTION IN PART OR AS A WHOLE WITHOUT THE WRITTEN PERMISSION OF QUALITY MUSICAL SYSTEMS, INC. IS PROHIBITED.</small>	MATERIAL	UNLESS OTHERWISE SPECIFIED: DIMENSIONS ARE IN INCHES TOLERANCES: FRACTIONAL ± ANGULAR: MACH ± BEND ± TWO PLACE DECIMAL ± THREE PLACE DECIMAL ±	DRAWN	TBW	10/7/2009	Danley Sound Labs DANLEY <small>SOUND LABS</small>	TITLE: DTS-20 SIZE A Plan View Drawing REV B	
	FINISH		ENG APPR.					Last Save Date: Wednesday, October 07, 2009 9:04:57 AM
	DO NOT SCALE DRAWING		MFG APPR.					
			Q.A.					